

Model 530LRT

ROUGH TERRAIN SCISSOR LIFTS



MORE ECONOMIC

- Variable engine control cuts fuel consumption and operating costs.

MORE PRODUCTIVE

- Enjoy superior terrainability and comfortable navigation on almost any job site with four-wheel-drive and standard oscillating axle.

MORE ACCESS

- More room for people and materials thanks to spacious deck with standard extension. Increase space to a massive 7.2 m² with optional MegaDeck for an even bigger working environment.

SMART DESIGN

- Optimal capacity with robust construction and high-strength scissor pack.

Standard Features

- Four wheel drive
- Two speed drive selection
- Proportional drive control with thumb steer
- Oscillating front axle
- 1.14 m manual front deck extension
- AC power cable to platform
- 1.81 m x 3.96 m steel platform (WxL)
- Moveable and removable platform console box
- On-board self-diagnostic testing
- Fuel level warning light on the platform
- Fold down handrails
- Horn
- 3 degree tilt alarm and indicator light
- Engine distress warning/shut down system
- Guardless system with audio visual alarm
- Swivel motor bracket
- Hydraulic leveling jacks

Standard Specifications

Power Source	
• Diesel Engine	21.7 kW
• Fuel Tank Capacity	83 L
Hydraulic System	
• Hydraulic reservoir	129 L
Tyres	12 x 16.5 Foam-Filled



Accessories & Options

- 1.81 m x 7.05m Megadeck incl. dual manual extensions
- Dual deck extension
- Platform Worklights
- 13 mm airline to platform
- Self-closing entrance doors
- Flashing Amber Beacon
- Skypower 7,500W generator package
- On-board 4,000W generator
- Night Bright® Package²
- Pipe Racks
- Euro plugs and sockets
- Platform Workstation

² Includes four platform mounted LED floodlights

Model 530LRT

ROUGH TERRAIN SCISSOR LIFTS

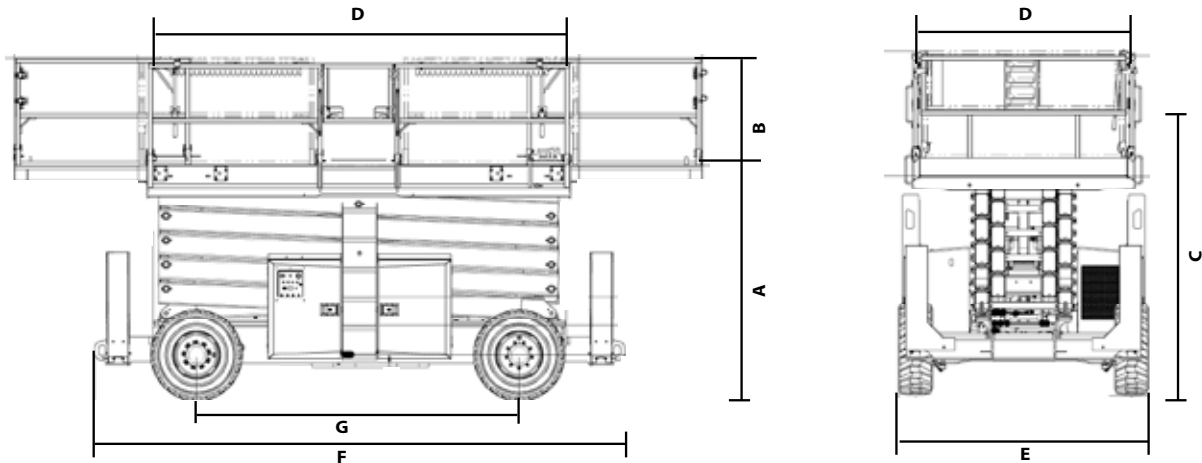
Performance

• Working Height	18.15 m
A. Platform Height Lowered	2.02 m
B. Platform Railing Height	1.10 m
C. Stowed Height (rails folded)	2.41 m
D. Platform Size	1.81 m x 3.96 m
Front Deck Extension	1.14 m
Rear Deck Extension	1.14 m
E. Overall Width	2.31 m
F. Overall Length	4.88 m
G. Wheelbase	2.97 m
• Platform Capacity (incl Dual extension)	680 kg
• Capacity on Optional Deck Extension(s)	230 kg (option)
• Lift/Lower Time	65/60 seconds
• Maximum Drive Height	9.75 m
• Maximum Weight ¹	7,995 kg
• Maximum Ground Bearing Pressure	6.7 kg/cm ²
• Drive Speed 4WD	5.6 km/h
• Gradeability 4WD	40%
• Turning Radius	
inside	4.04 m
outside	6.02 m
• Axle Oscillation	0.20 m

¹ Certain options or country standards may increase weight and/or dimensions



Dimensions



IMPORTANT

JLG is continually researching and developing products and reserves the right to make modifications without prior notice. All data in this document is indicative. Certain options or country standards will increase weight. Specifications may change to meet country standards or with the addition of optional equipment.

JLG®

STT Group

Tel: 8 800 700 85 33

www.atlas-stt.ru